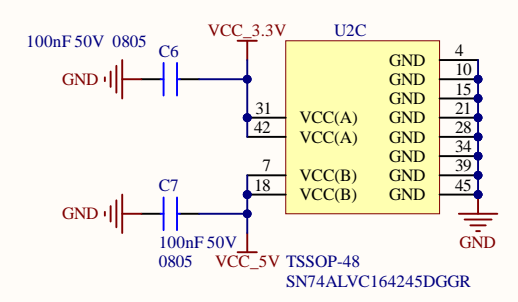
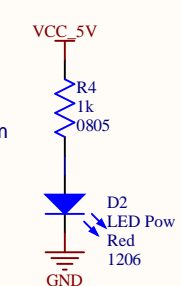
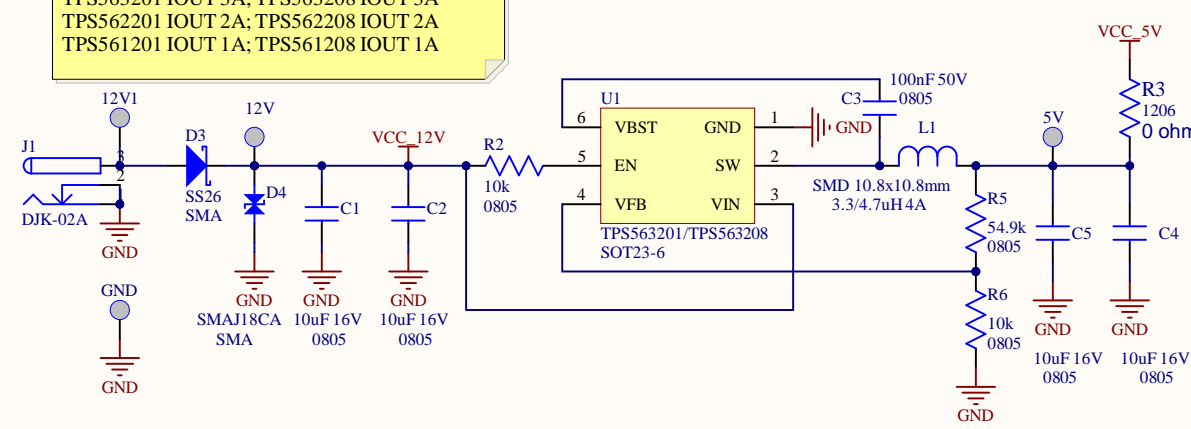


Replace  
TPS563201 IOUT 3A; TPS563208 IOUT 3A  
TPS562201 IOUT 2A; TPS562208 IOUT 2A  
TPS561201 IOUT 1A; TPS561208 IOUT 1A



Title <b>ASTRPA Shield to Raspberry Pi Adapter</b>			GRA & AFCH
Size: A4	Number: *	Revision: 2.1	*
Date: 16.12.2020	Time: 23:44:57	Sheet * of *	Grisha Anofriev
File: C:\Users\GRA\Dropbox\Project\Nixie_Clock\PCB_Arduino_Shield_to_Raspberry_Pi_Adapter_v2\Nixie_Clock_Shield_SchDoc			

