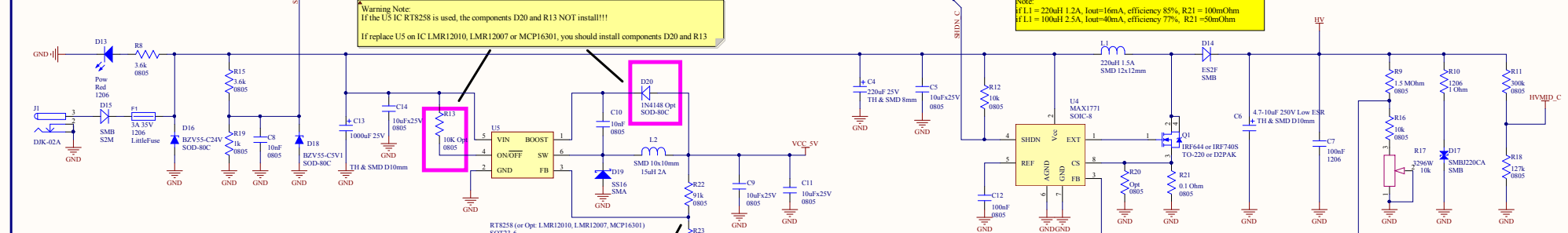


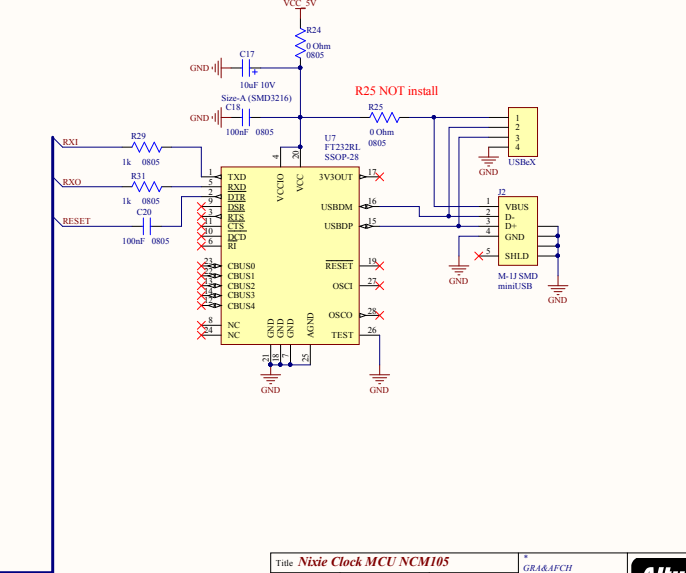
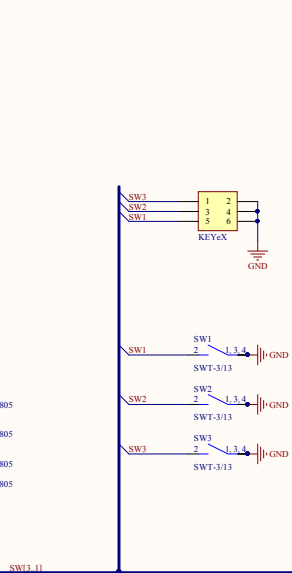
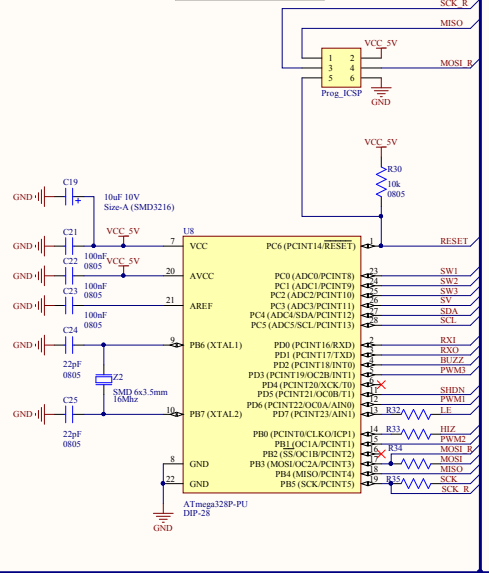
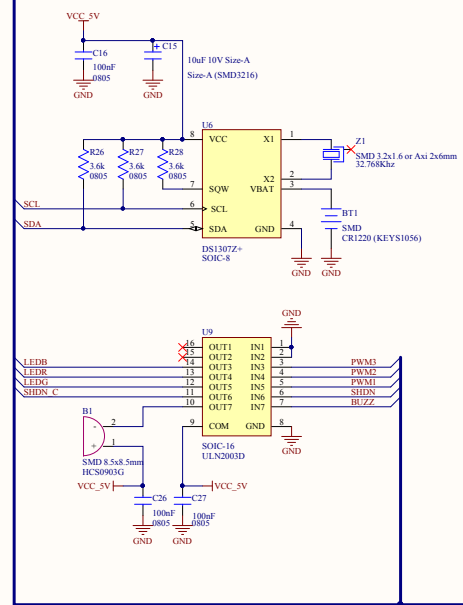
**Warning Note:**  
If the US IC RT8258 is used, the components D20 and R13 NOT install!!!  
If replace US on LMR12010, LMR12007 or MCP16301, you should install components D20 and R13

**Note:**  
If L1 = 220uH 1.2A, Iout=16mA, efficiency 85%, R21 = 100mOhm  
If L1 = 100uH 2.5A, Iout=40mA, efficiency 77%, R21 = 50mOhm



Replace for RT8258  
R22 = 95.3k 0805  
R23 = 18.2k 0805

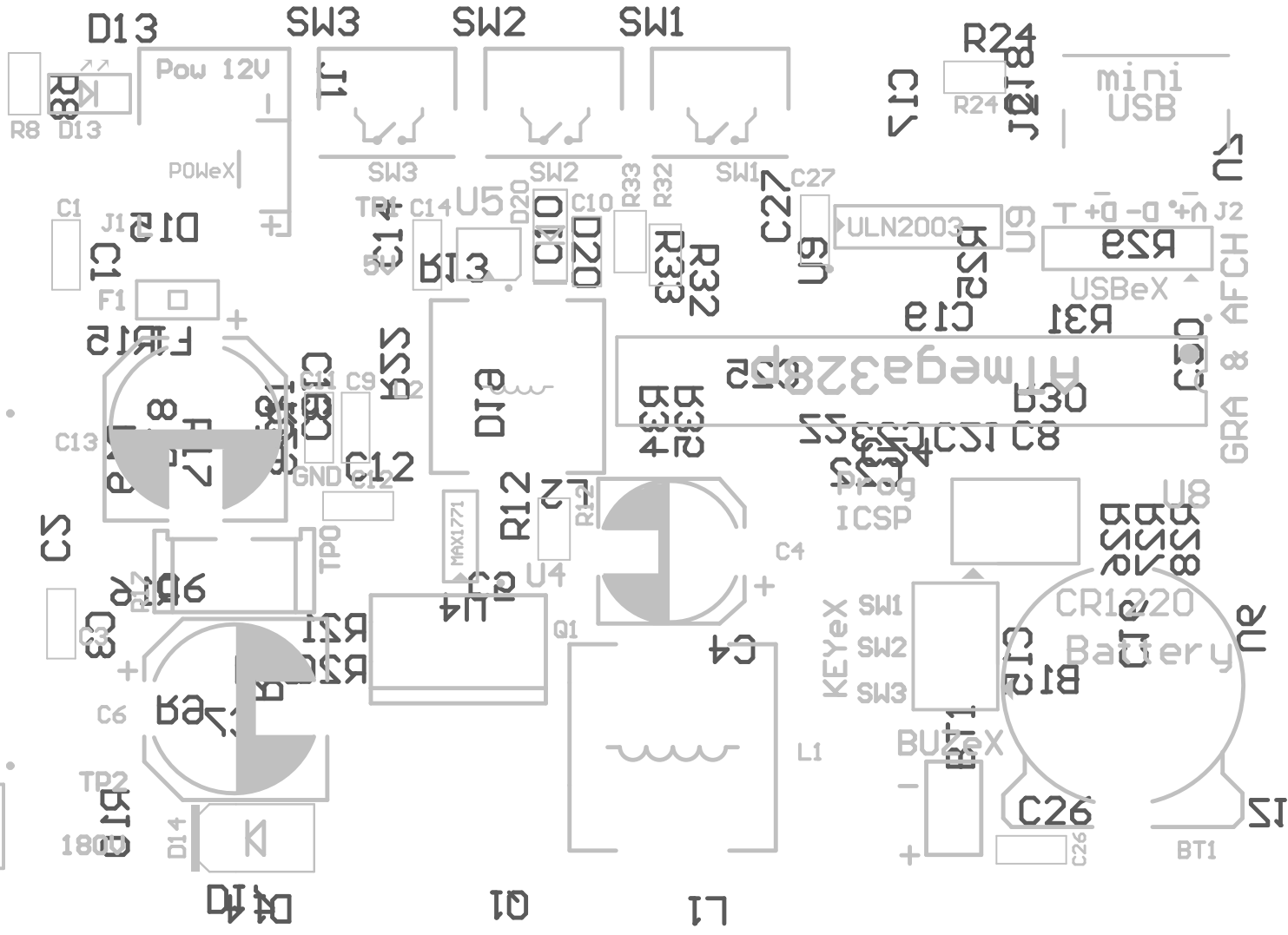
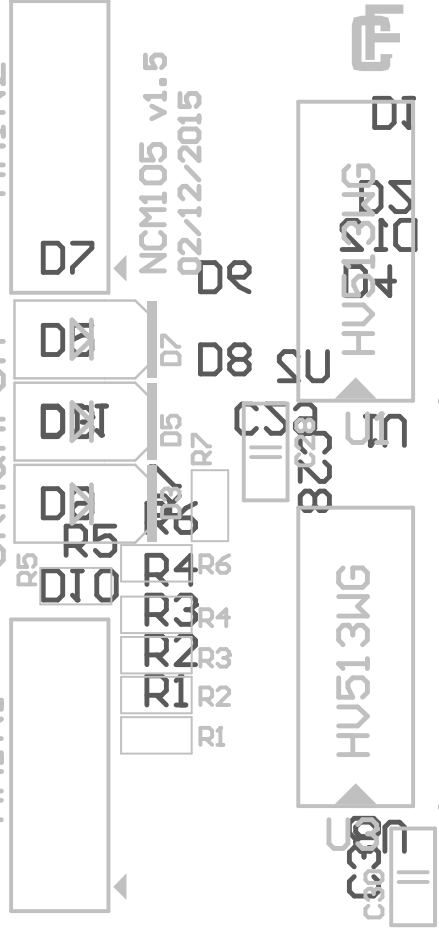
If US IC LMR12010, LMR12007 and MCP16301.  
R22 = 52.3k  
R23 = 10k



MAIN1

GRA&FCH

MAIN2



**Boards**