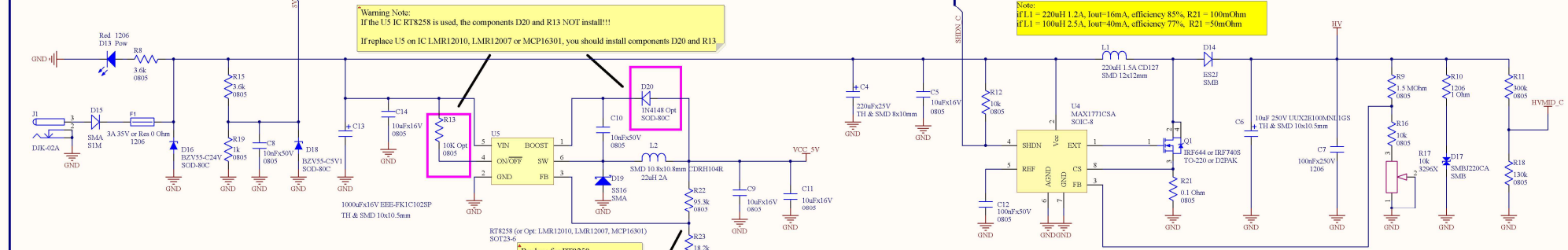


Warning Note:
If the U5 IC RT18258 is used, the components D20 and R13 NOT install!!!!
If replace U5 on IC LMR12010, LMR12007 or MCP16301, you should install components D20 and R13.

Note:
If L1 = 220uH 1.2A, Iout=10mA, efficiency 85%, R21 = 100mOhm
If L1 = 100uH 2.5A, Iout=40mA, efficiency 77%, R21 = 50mOhm



Replace for RT18258
R22 = 91k 0805
R23 = 17.4k 0805

If U5 IC LMR12010, LMR12007 and MCP16301
R22 = 52.3k
R23 = 10k

