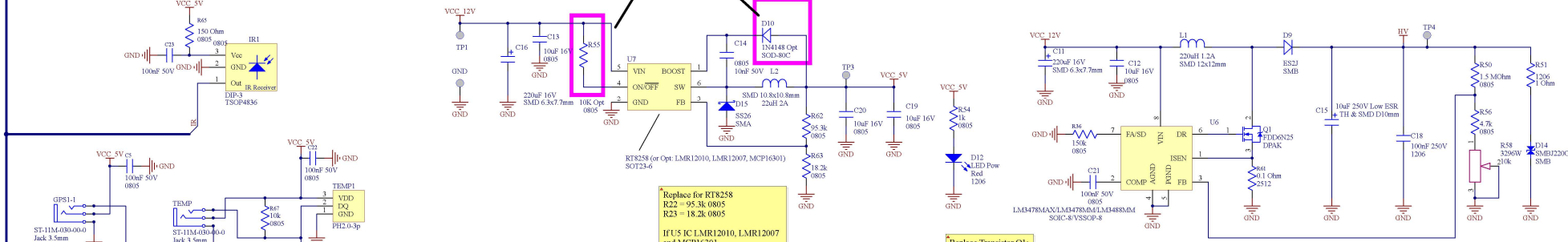


Warning Note:
If the US IC RT8258 is used, the components D10 and R55 NOT install!!!!
If replace US on IC LM12010, LM12007 or MCP16301, you should install components D10 and R55



Replace for RT8258
R22 - 95.3k 0805
R23 - 18.2k 0805

If US IC LM12010, LM12007 and MCP16301.
R22 - 95.3k 0805
R23 - 18.2k 0805
R24 - 10k

Replace Transistor Q1:
STTD18N55M5

Note:
F11 - 220uH 1.2A, Iout=10mA, efficiency 85%, R21 = 100mOhm
F11 - 100uH 2.5A, Iout=40mA, efficiency 77%, R21 = 50mOhm

