

Input Power Supply 7.5 VDC 1A or USB

Attention! you cannot use an external power supply with a voltage greater than 7.5V, because the high voltage to high heat LDO on the Arduino board and the board may be damaged. It is also not recommended to use a power supply unit less than 6.5V since a voltage margin is needed to stabilize the LDO 5V voltage on the Arduino board.

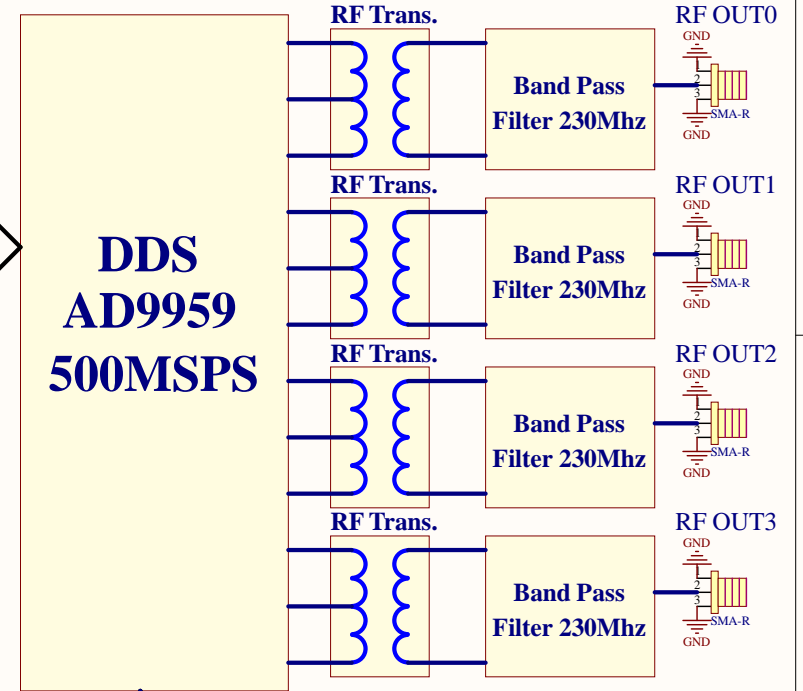
Power Supply

LDO 3.3V for TCXO
LDO 1.8V DDS AVDD
LDO 1.8V DDS DVDD
LDO 3.3V DDS DVDD

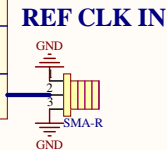
ARDUINO/DDS PINOUT

- Arduino PIN51 - SDIO_0_TTL
- Arduino PIN9 - SDIO_1_TTL
- Arduino PIN50 - SDIO_2_TTL
- Arduino PIN11 - SDIO_3_TTL
- Arduino PIN52 - DDS SCLK
- Arduino PIN6 - DDS CS
- Arduino PIN12 - MASTER_RESET_TTL
- Arduino PIN13 - PWR_DWN_CTL_TTL
- Arduino PIN5 - IO_UPDATE_TTL
- Arduino PIN16 - P0
- Arduino PIN15 - P1
- Arduino PIN14 - P2
- Arduino PIN4 - P3
- Arduino PIN17 - SYNC_CLK

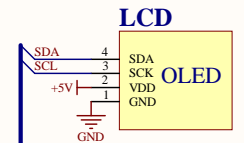
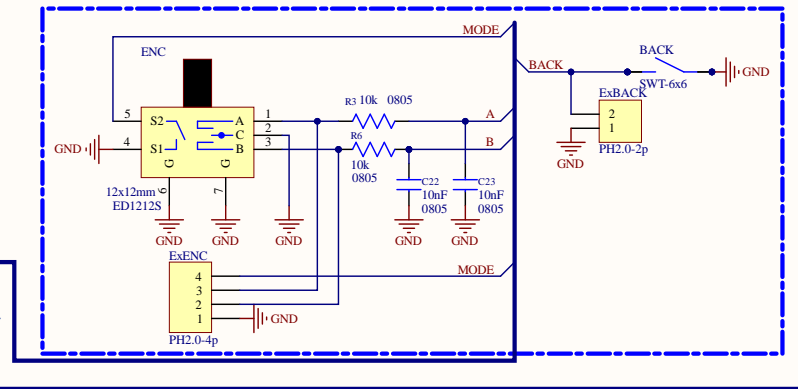
Voltage-Level Shifter for 5V <-> 3.3V



XO - Closed REF - Open	XO - Crystal Oscillator 20ppm Z1 - 25MHZ; C18, C19 - 39pF; C14, C17 - Non Install
XO - Open REF - Closed	TCXO - Oscillator 1ppm C20 - 1nF; Z1, C18, C19 - Non Install
	REF CLK IN - External Oscillator C20, Z1, C18, C19 - Non Install

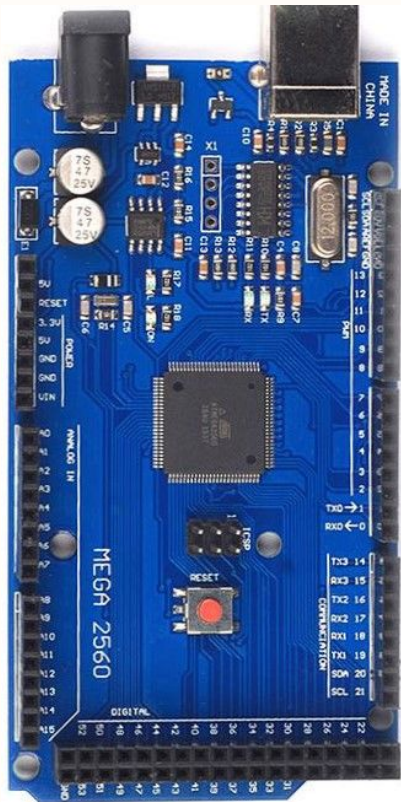


Buttons Control Internal/External



ARDUINO/DDS PINOUT

- Arduino PIN10 - R-LCD1.3
- Arduino PIN18 - A
- Arduino PIN19 - B
- Arduino PIN2 - MODE Button
- Arduino PIN3 - BACK Button
- Arduino PIN20 - LCD SDA
- Arduino PIN21 - LCD SCL



Title DDS9959 v1.1 GRA & AFCH		
Size A3	Number	Revision
Date: 11.21.2020	Sheet of	
File: C:\Users\...Sheet9959.SchDoc	Drawn By:	